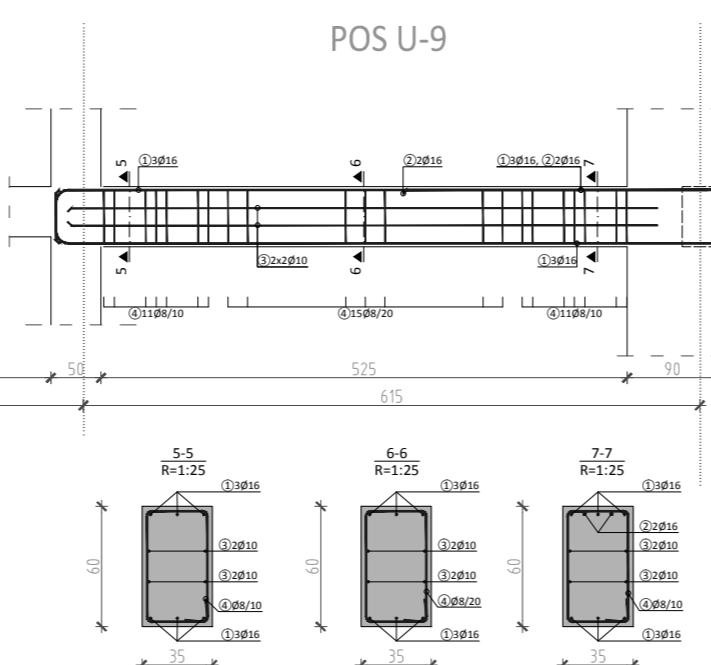
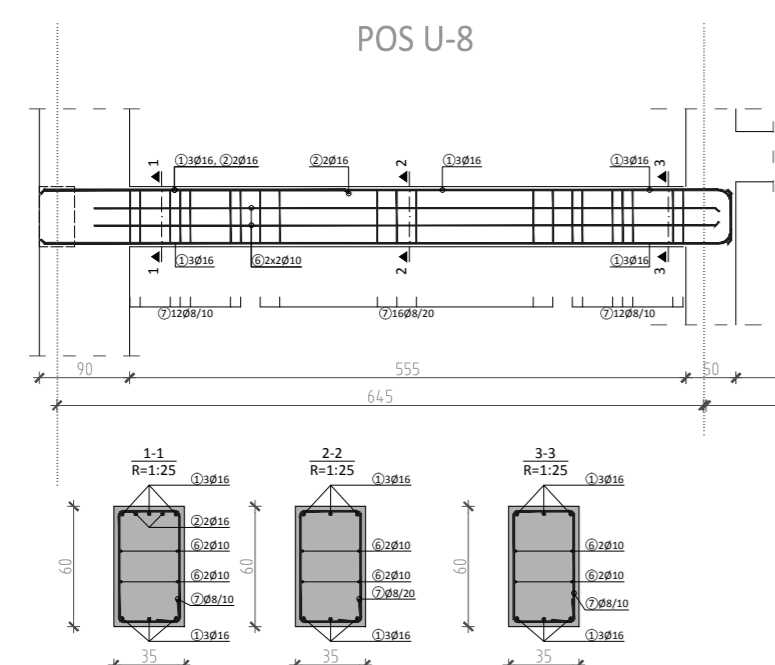
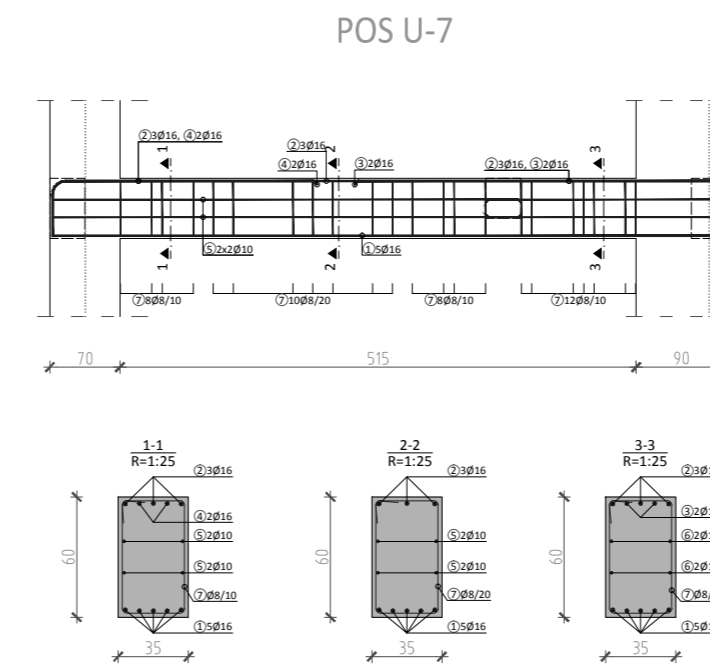
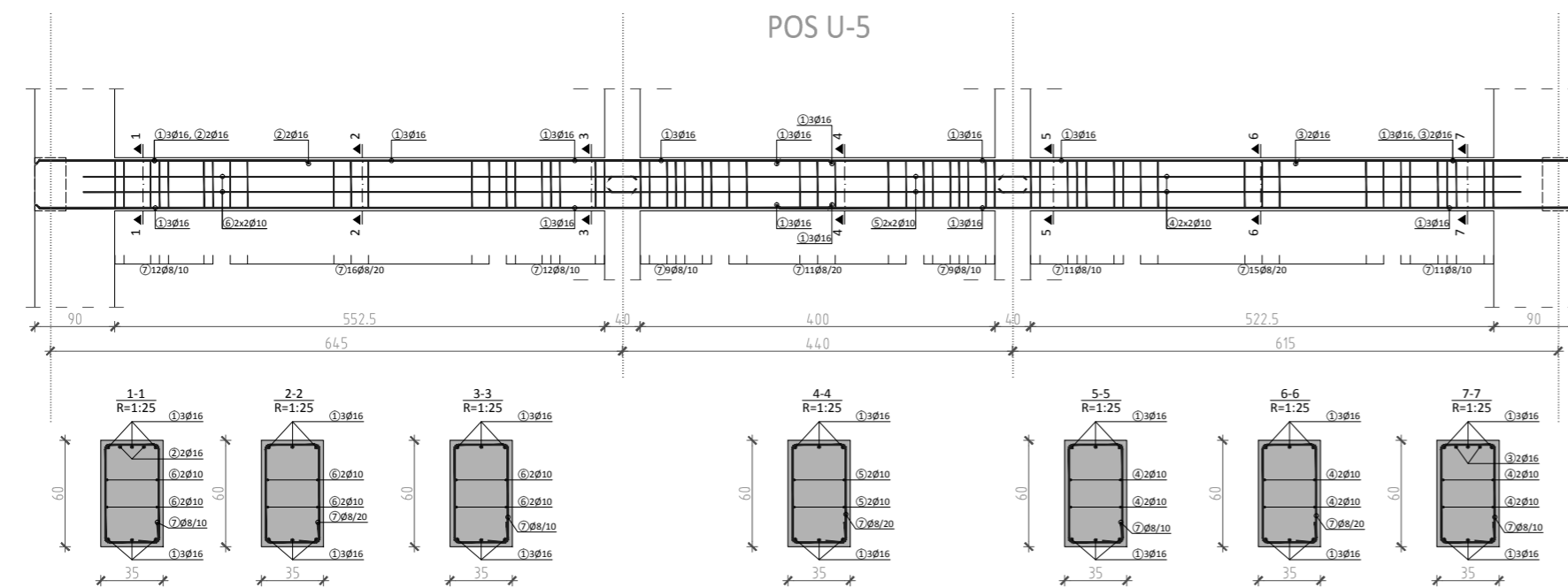
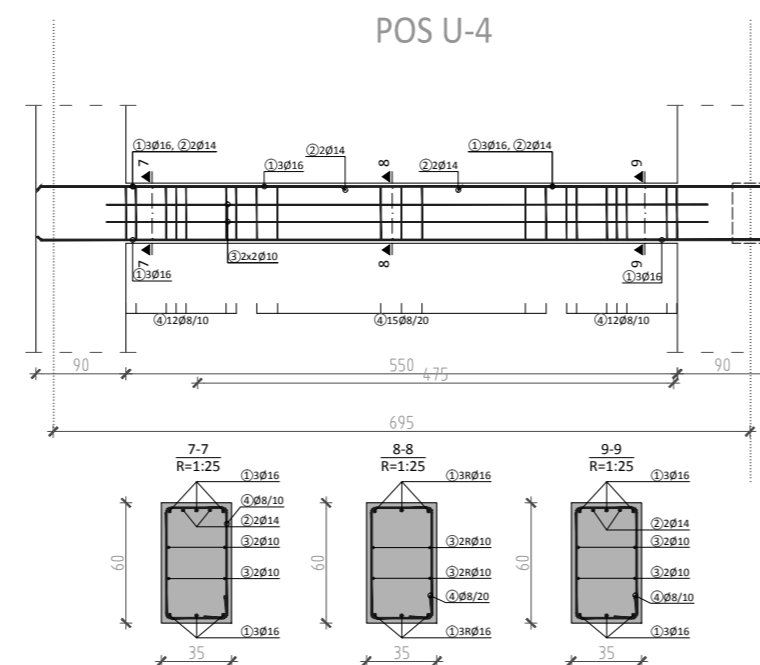
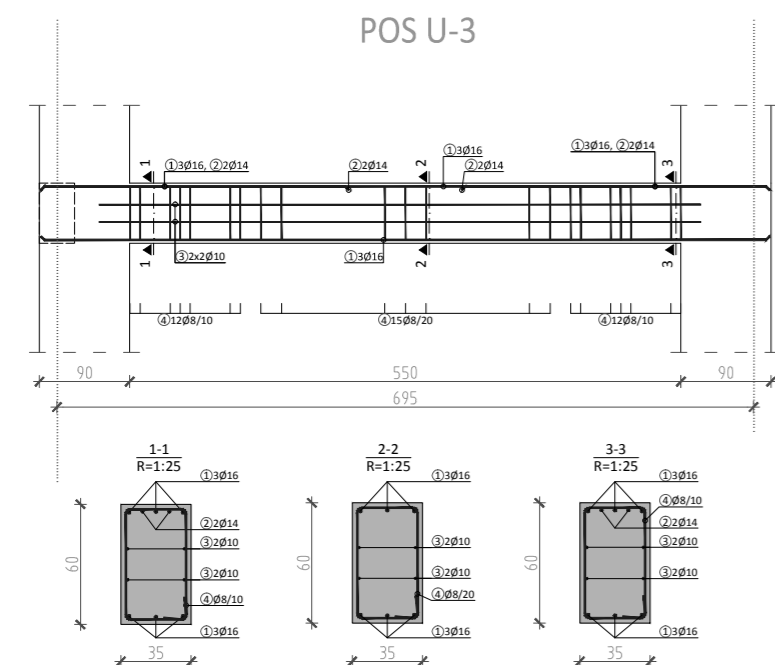
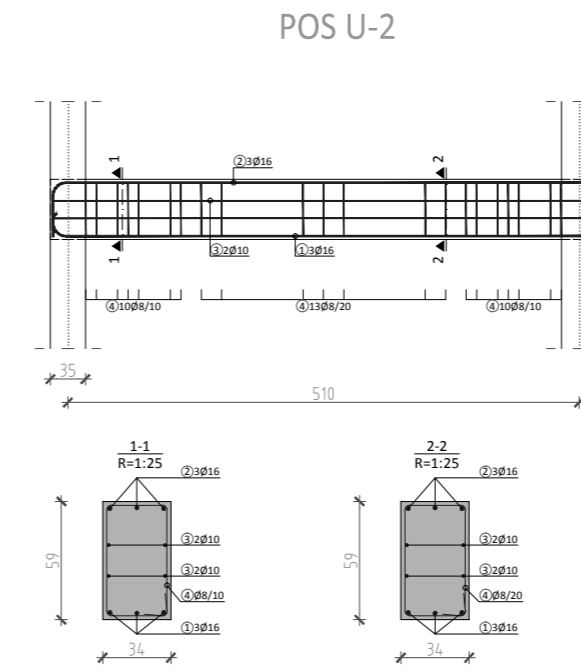
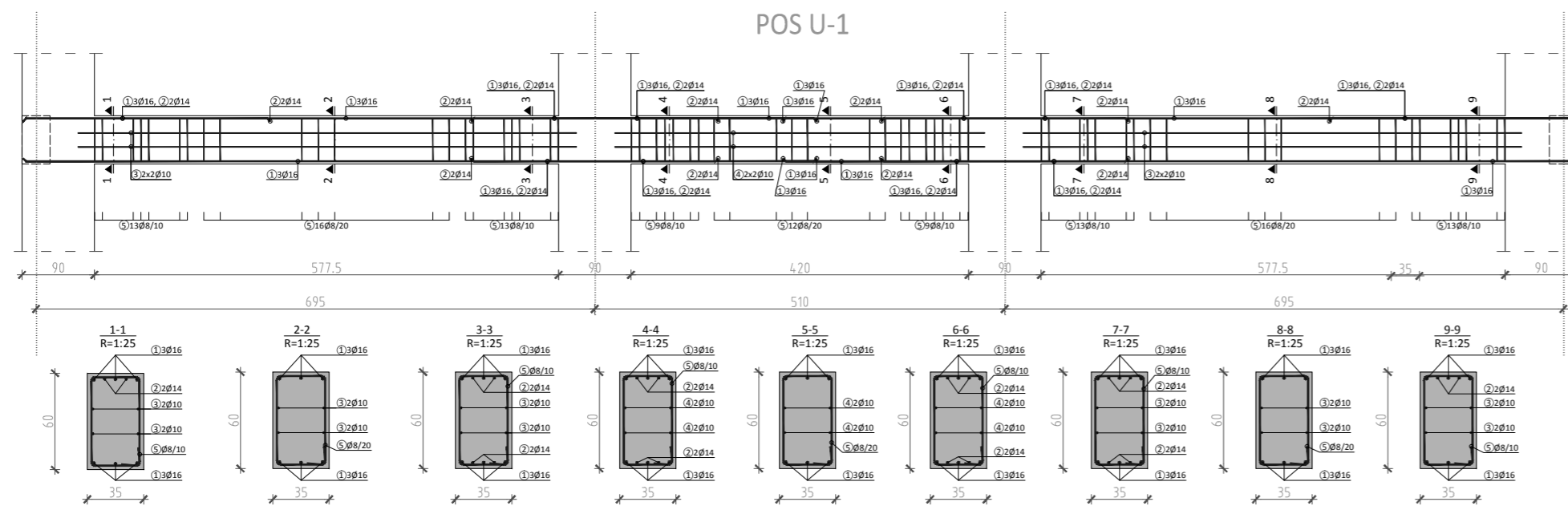


# Unterz>\*^ÆËÛÖ, C 25 / 30

M 1:50(25)



Stabliste - Biegeformen					
Pos	Ø [mm]	l [mm]	Ø [mm]	Stück	Masse [kg]
POS U-1					
1	980	16	9.80	12	117.60
2	300	14	3.00	12	36.00
3	620	10	6.20	8	49.60
4	460	10	4.60	4	18.40
5	55	8	1.88	114	214.32
POS U-2					
1	540	16	5.75	3	17.25
2	540	16	6.48	3	19.44
3	540	10	5.40	4	21.60
4	55	8	1.88	33	62.04
POS U-3					
1	720	16	7.20	6	43.20
2	300	14	3.00	4	12.00
3	600	10	6.00	4	24.00
4	55	8	1.88	39	73.32
POS U-4					
1	720	16	7.20	6	43.20
2	300	14	3.00	4	12.00
3	600	10	6.00	4	24.00
4	55	8	1.88	39	73.32
POS U-5					
1	890	16	8.90	12	106.80
2	300	16	3.00	2	6.00
3	300	16	3.00	2	6.00
4	585	10	5.85	4	23.40
5	464	10	4.64	4	18.56
6	620	10	6.20	4	24.80
7	55	8	1.88	106	199.28
POS U-6,7					
1	673	16	6.73	10	67.30
2	672	16	7.27	6	43.62
3	367	16	3.67	4	14.68
4	260	16	3.15	4	12.60
5	465	10	4.65	8	37.20
6	237	10	2.37	8	18.96
7	55	8	1.92	76	145.92
POS U-8					
1	685	16	7.35	6	44.10
2	300	16	3.00	2	6.00
6	620	10	6.20	4	24.80
7	55	8	1.88	40	75.20
POS U-9					
1	655	16	7.05	6	42.30
2	300	16	3.00	2	6.00
3	585	10	5.85	4	23.40
4	55	8	1.88	37	69.56
Stabliste					
Ø [mm]	l [m]	Masse [kg]			
8	912.96	373.40			
10	308.72	200.36			
14	60.00	75.12			
16	596.09	966.26			
Gesamtmasse (kg):		1615.14			